

TX200 series industrial robots



Food

Automotive and
equipment manufacturers

Life Sciences and pharma

Plastics

Cleanroom

Machine tending

Photovoltaics

TS
Scara / 4 axis

TX
Low payload / 6 axis

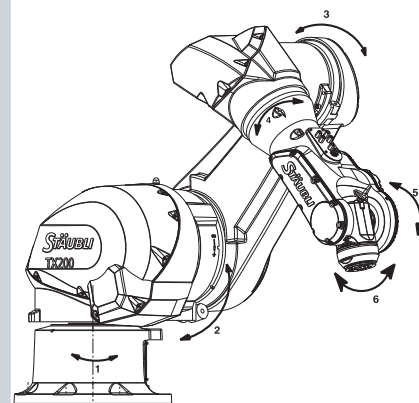
RX / TX
Medium payload / 6 axis

RX / TX
Heavy payload / 6 axis

TP
Picker / 4 axis

MODEL		TX200	TX200L
Characteristics			
Maximum load ⁽¹⁾		130 kg	80 kg
Nominal load		100 kg	60 kg
Reach (between axis 1 and 6)		2194 mm	2594 mm
Number of degrees of freedom		6	6
Repeatability - ISO 9283		± 0,06 mm	± 0,1 mm
Motion range	Axis 1 (A)	± 180°	± 180°
	Axis 2 (B)	± 120°	± 120°
	Axis 3 (C)	+145°/-140°	+145°/-140°
	Axis 4 (D)	± 270°	± 270°
	Axis 5 (E)	±120°	±120°
	Axis 6 (F)	± 270° ⁽²⁾	± 270° ⁽²⁾
Work envelope	Maximum reach between axis 1 and 5 (R. M)	2000 mm	2400 mm
	Maximum reach between axis 2 and 5 (R. M)	1750 mm	2150 mm
	Minimum reach between axis 1 and 5 (R. m1)	365 mm	528 mm
	Minimum reach between axis 2 and 5 (R. m2)	545 mm	690 mm
	Minimum reach between axis 3 and 5 (R. b)	800 mm	1200 mm
Maximum speed	Axis 1	160°/s	160°/s
	Axis 2	160°/s	160°/s
	Axis 3	160°/s	160°/s
	Axis 4	260°/s	260°/s
	Axis 5	260°/s	260°/s
	Axis 6	400°/s	400°/s
Maximum speed at load gravity center		12 m/s	14 m/s
Maximum inertias	Axis 5	45 kg.m ²	40 kg.m ²
	Axis 6	20 kg.m ²	15 kg.m ²
Weight		1000 kg	1020 kg
Brakes		All axis	
Forearm connections	Pneumatic	2 solenoid valves in option 5/2-way monostable (compressed air) 3 direct line between the base and the forearm	
	Electrical	Standard	
		1 female 19-contact socket (7 twisted pairs including 2 shielded, 3 power contacts)	
		Option Ethernet	
		A 19-contact female cylindrical connector with 5 twisted pairs and 3 power contacts. + 1 4-contact female cylindrical connector M12 code D for a Cat 5e Ethernet link.	
Cleanroom standard - ISO 14644-1		5	
Protection class (*wrist)		IP65 (*67)	
Stäubli CS8 series controller		CS8C HP	
Installation environment			
Working temperature according to standard directive NF EN 60 204-1		+ 5°C to + 40°C	
Humidity according to standard directive NF EN 60 204-1		30% à 95% max. non-condensing	
Attachment methods		Floor/Shelf/Ceiling ⁽⁶⁾	
Vertical cable outlet version ⁽³⁾		•	•
Pressurized version ⁽⁴⁾		•	•
Version HE (Humid Environnement) ⁽⁵⁾		• ⁽⁶⁾	• ⁽⁶⁾
Market specific versions			
CR Cleanroom - class 4 cleanliness - ISO 14644-1		• ⁽⁶⁾	• ⁽⁶⁾

Motion range



CS8C HP controller



(1) Under special conditions, consult us.

(2) Software configurable up to ±18000°.

(3) Vertical outlet version: designed to offer additional connection protection at robot base or for use in clean and/or humid environment. Factory installation only.

(4) Pressurization kit: necessary for use in an environment with high dust levels or with substantial liquid splashing. This kit generates positive pressure in the arm. Factory installation only and required with pressurization kit.

(5) Version HE (Humid Environment): designed for use in humid and oxidizing environments. The arm components are painted individually, providing additional arm protection against oxidation and corrosion. Factory installation only and required with pressurization kit.

(6) Contact our sales team.



Product benefits

The TX200 robot series feature unique benefits to fit in all environments providing the best possible process quality and increased productivity.



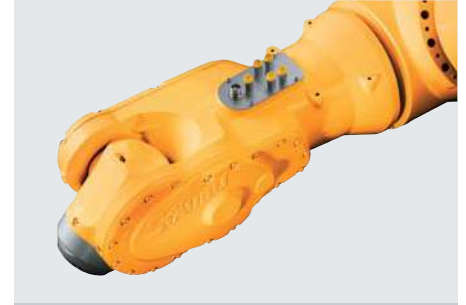
WRIST

IP67 rating, high robustness, limited build-up on wrist.



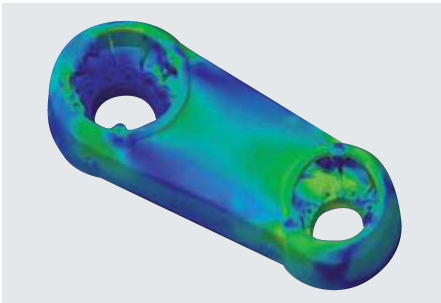
VERTICAL CABLE OUTLET VERSION

Better cable protections, use in clean and/or humid environment.



FOREARM CONNECTIONS

Electrical and pneumatic connections close to the tool, user lines already installed.



RIGID STRUCTURE

High dynamic performance.



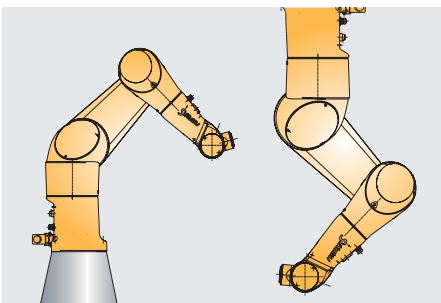
ENCLOSED STRUCTURE

Easy to clean and use in clean or hostile environments.



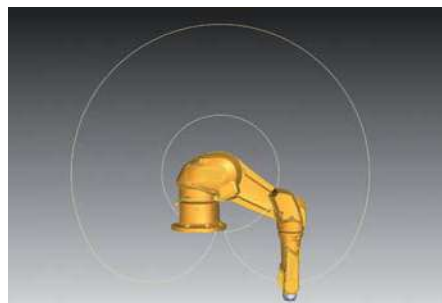
ENVIRONMENT

The robot is available in different versions: Cleanroom, Humid Environment (HE), Food and Life Science applications.



MULTIPLE ATTACHMENT METHODS

Adaptability and flexibility (floor, ceiling).



LARGE WORK ENVELOPE

The short robot base enables it to work, shelf mounted on an injection molding machine for example.



LIMITED RETENTION AREAS

Hygienic design with limited retention areas. Easy to clean for Food of Life Science applications.

www.staubli.com/robotics

Stäubli Faverges SCA Headquarters
FR-74210 FAVERGES (Annecy)
Tel.: +33 4 50 65 62 87
Fax: +33 4 50 65 61 30
robot.sales@staubli.com

Stäubli Tec-Systems GmbH
DE-95448 BAYREUTH
Tel.: +49 921 883 0
Fax: +49 921 883 244
sales.robot.de@staubli.com

STÄUBLI